

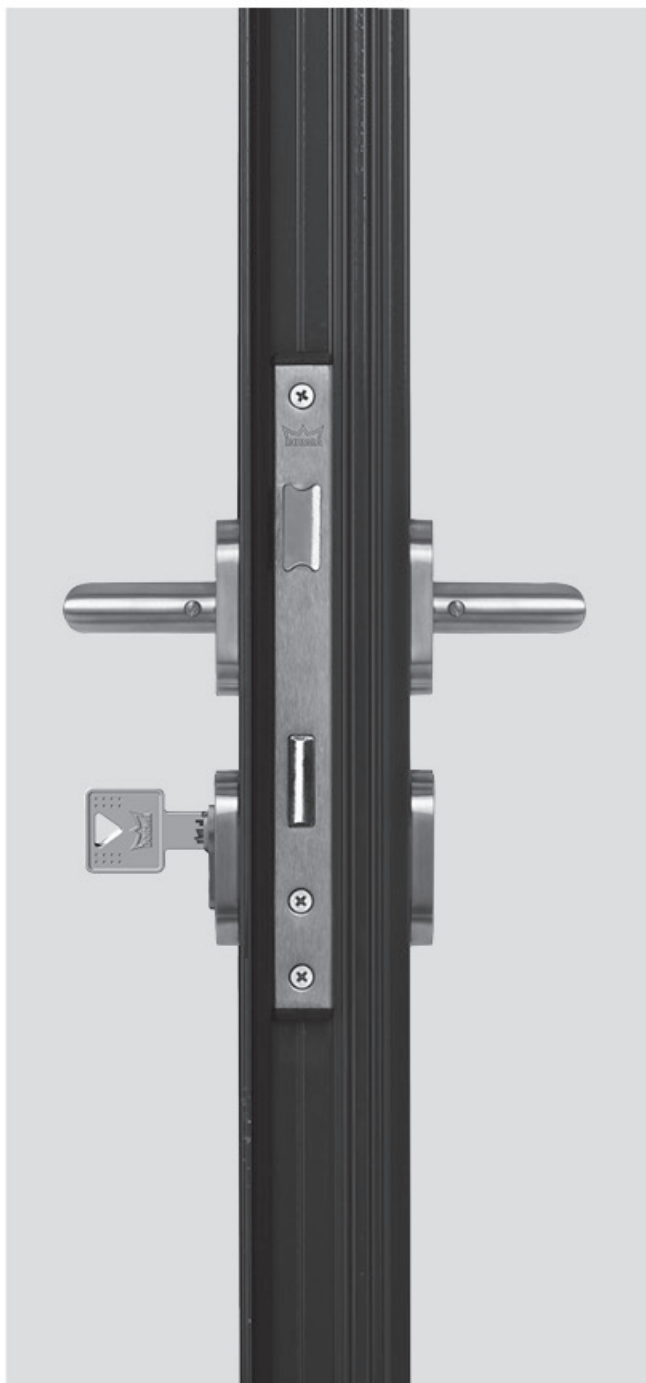


# SERIES 200

—



Mortice Locks



DORMA lock series 200  
DORMA lever handle PREMIUM 8906

Content	
	Page
<b>Mortice locks 20 0</b> Benefits / Features	3
<b>Mortice locks 20 0</b> Classification EN 12209 / Lock details	4
<b>Mortice locks 20 0</b> Handing	5
<b>Mortice locks 20 0</b> Application	5
<b>Mortice locks 20 0</b> Summary	6
<b>Mortice locks 200 CE</b> Contract	7
<b>Mortice locks 20</b> Standard	12
<b>Strike plates</b>	22
<b>DORMA locks</b> Compatibility	23
<b>Specification text</b> 200 CE, 200	23

# DORMA MORTICE LOCKS – A COMPLETE RANGE OF HIGH QUALITY PRODUCTS

Locks from DORMA offer the very highest standard of quality and functional reliability. With the use of high-grade materials, precise production techniques and a comprehensive quality management system, all DORMA locks meet demanding technical specifications.

Additionally, locks conforming to the technical requirements of DIN 18251 and EN 12209 also offer unbeatable ease of use and security features.

Locks from DORMA are also offered as a set. The package contains the Mortice lock with screws and strike plate.

**Further information, specification texts**

Additional information, e.g. specification texts, drawings, and installation instructions on many products, can be accessed via electric media (Internet).

**Benefits at a glance**

**For the architect**

- The high quality satin stainless steel surface finish satisfies very high demands with respect to the appearance of the door furniture.

**For the trade**

- The package contains the Mortice lock with screws and strike plate
- Non-handed lock version to reduce storage space
- Identical fixing screws for lock and strike plate simplify material management
- Having been assigned category of use grade 2 per EN 12209 the locks can also

be reliably installed in buildings subject to heavy pedestrian traffic frequencies

- Optimated processes because DORMA locks and fittings are from one hand
- Not provided for fire-rated doors in Germany
- All the DORMA Mortice locks have following variations:
 

backset	55 mm
	60 mm
	65 mm
	70 mm
	80 mm
forend	20 mm, square
	20 mm, rounded
	24 mm, square
	24 mm, rounded

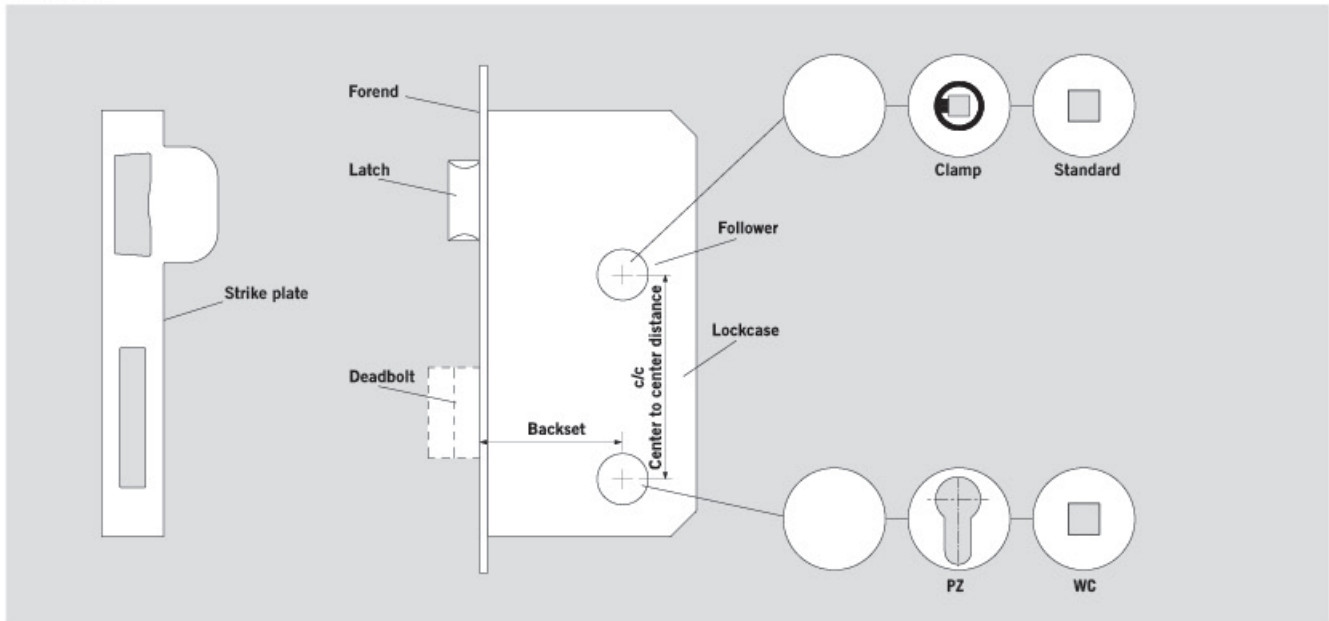
**For the installer**

- DORMA locks offer their precision by a simple, compatible assembling in standard door cuts.
- DORMA locks have consistently uniform sizes each and are interchangeable, also between each series.
- DORMA locks can be used universally by changing the latch handing, without using a tool.
- DORMA locks achieve a long life because of a robust maintenance-free lock mechanism, even under difficult operating conditions.
- DORMA locks can be commonly used with standard fittings, e.g. standard lever handles, profile cylinders, roses/escutcheons/ backplastes etc.
- DORMA locks are subject to strict quality requirements and are tested and certified according to EN 12209. For applications with increased security requirements the locks are tested and certified in accordance with national and international standards.

Features	200 CE Contract	200 CE Standard
Grade EN 12209	2	2
CE	●	–
DIN 18251-1	●	●
Door Application for:	Office	Office
Latch handling	Reversible	Reversible
Latch	Satin stainless steel	Solid metal nickel plated
Follower 8mm	Standard	Standard
Follower bearing	Formed	Formed
Dead bolt	Satin stainless steel	Solid metal nickel plated
Fixing holes	Unbushed	Unbushed
Forend	Screwed	Screwed
Forend SSS	AISI 304	AISI 304

● Yes – No

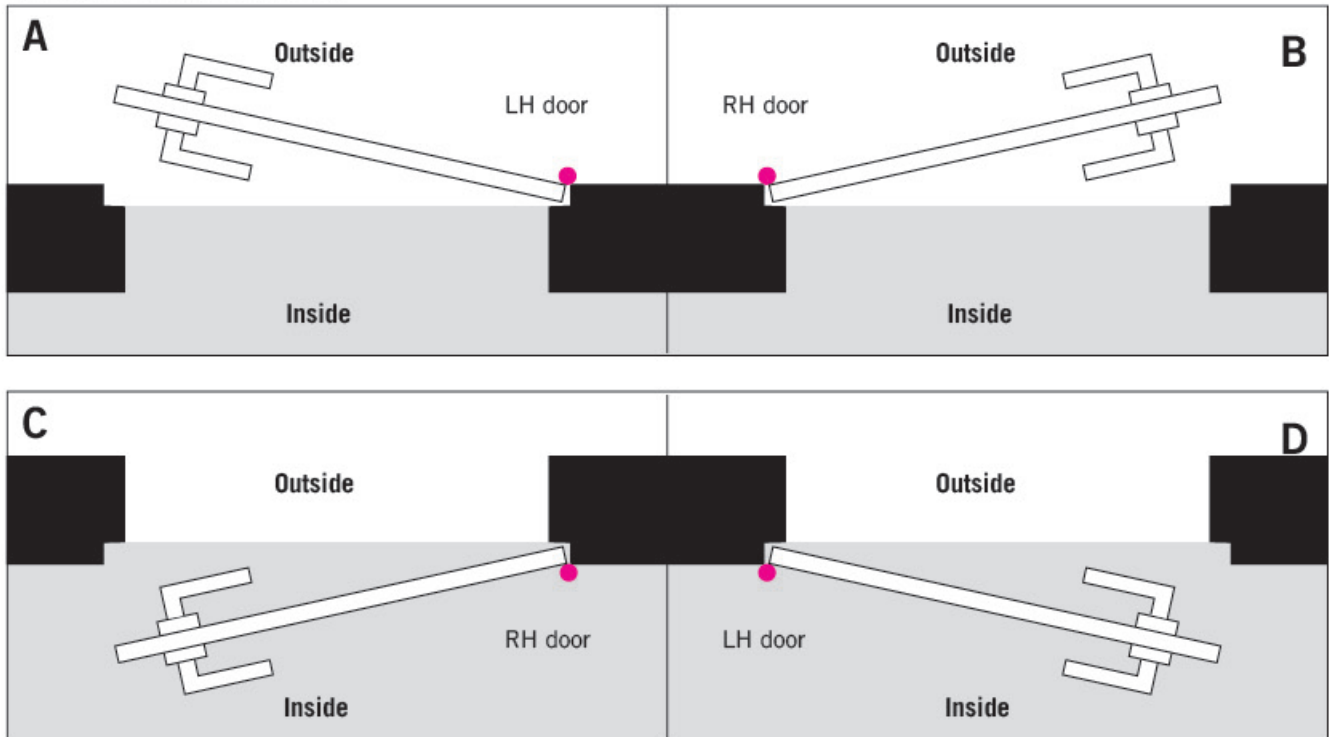
Lock details



Example Classification code to EN 12209 for the 271 lock

Mortice locks 271	2	S	6	0	0	G	3	B	C	2	0
<b>Category of use</b> e.g. office doors											
<b>Durability</b> 200.000 cycl./50 N load on latch bolt											
<b>Door Mass</b> above 200 kg, closing force 25 N											
<b>Fire / smoke doors</b> not approved											
<b>Safety</b> no requirements											
											<b>Key identification</b> no requirement
											<b>Type of spindle operation</b> for unsprung lever handle
											<b>Key operation and locking</b> Cylinder manually with intermediate
											<b>Door application</b> Hinged door
											<b>Security-drill resistance</b> medium no drill resistance
											<b>Corrosion resistance</b> very high resistance, NSS 120 h, -20 °C to +80 °C

Handing data for entrance door sets



Application with DORMA Beschlagtechnik lever handles

DORMA locks are prepared to be used with the DORMA Beschlagtechnik Premium, Plus and Pure ranges.



Premium for Projects with high demands on function and design

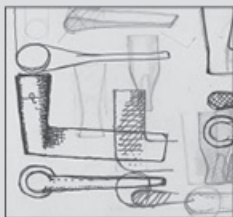


Plus for functional doors



Pure for standard doors

**CR  
EA  
TE**



Giving shape to an idea.  
Please do not hesitate to contact us.

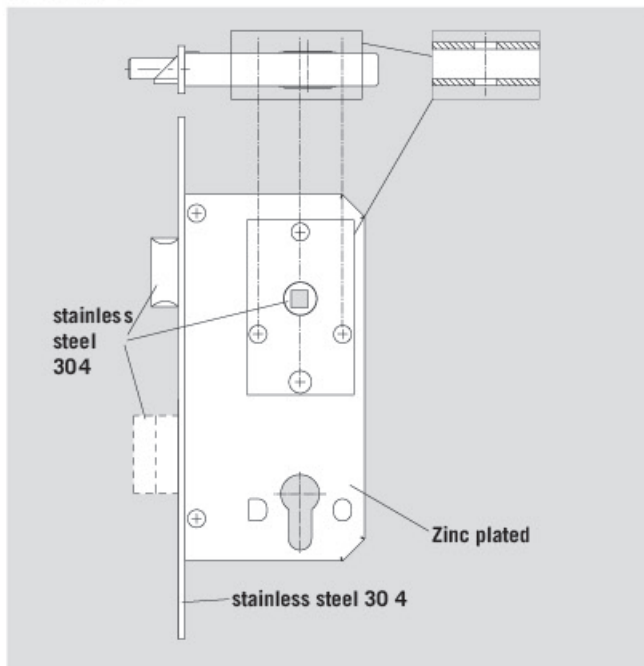


CONTRACT series 200 CE		281	285	288	289	290
Latch type standard		●	●	-	●	●
Latch retractable	by handle	●	●	-	●	●
	by cylinder	●	-	-	-	-
Dead bolt	double throw 20 mm	●	-	●	-	-
	single throw 10 mm	-	●	-	-	-
Dead bolt operable	by cylinder EPC	●	-	●	-	●
	by thumbturn	-	●	-	-	-
Centers	72 mm	●	-	●	●	●
	78 mm	-	●	-	-	-
Backset		55-80	55-80	55-80	55-80	55-80
Forend	20 mm rounded / square	● / ●	● / ●	● / ●	● / ●	● / ●
	24 mm rounded / square	● / ●	● / ●	● / ●	● / ●	● / ●
More information on page:		7	8	9	10	11

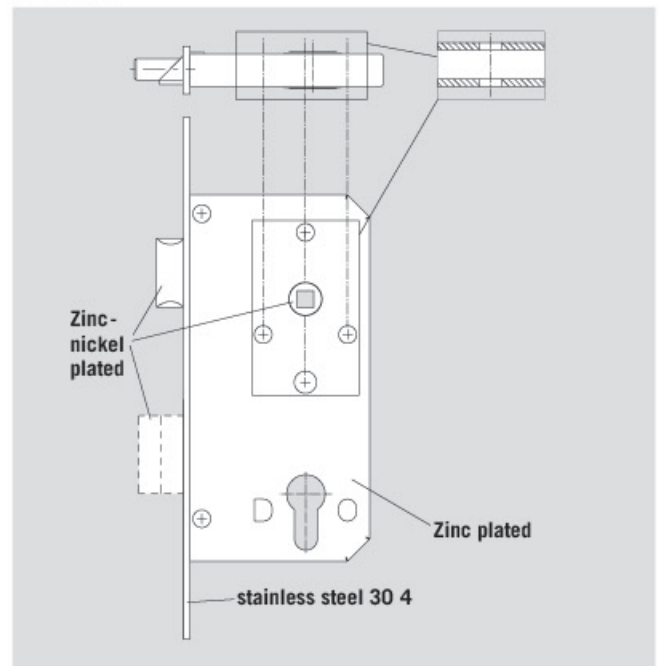
STANDARD series 200		271	275	278	279	208	209	232	233	234	235
Latch type standard		●	●	-	●	-	●	roller	-	●	●
Latch retractable	by handle	●	●	-	●	-	●	-	-	●	●
	by cylinder	●	-	-	-	-	-	-	-	-	-
Dead bolt	double throw 20 mm	●	-	●	-	●	-	●	-	-	-
	single throw 10 mm	-	●	-	-	-	-	-	●	-	●
Dead bolt operable	by cylinder EPC	●	-	●	-	●	-	●	-	lockable follower	-
	by thumbturn	-	●	-	-	-	-	-	●	-	-
Centers	72 mm	●	-	●	●	-	-	●	-	●	●
	78 mm	-	●	-	-	-	-	-	●	-	-
	85 mm	-	-	-	-	-	-	-	-	-	-
Backset		55-80	55-80	55-80	55-80	55	55	55-80	55-80	55-80	55-80
Forend	20 mm rounded / square	● / ●	● / ●	● / ●	● / ●	● / ●	● / ●	● / -	● / ●	● / ●	● / ●
	24 mm rounded / square	● / ●	● / ●	● / ●	● / ●	● / ●	● / ●	- / ●	● / ●	● / ●	● / ●
More information on page:		12	13	14	15	16	17	18	19	20	21

● Yes - No

Series 200 CE



Series 200





# MORTICE LOCK 281

Locks for interior and exterior doors, e.g. in office buildings

## Features

Grade 2 – EN 12209

approved for fire-rate doors with CE certificate

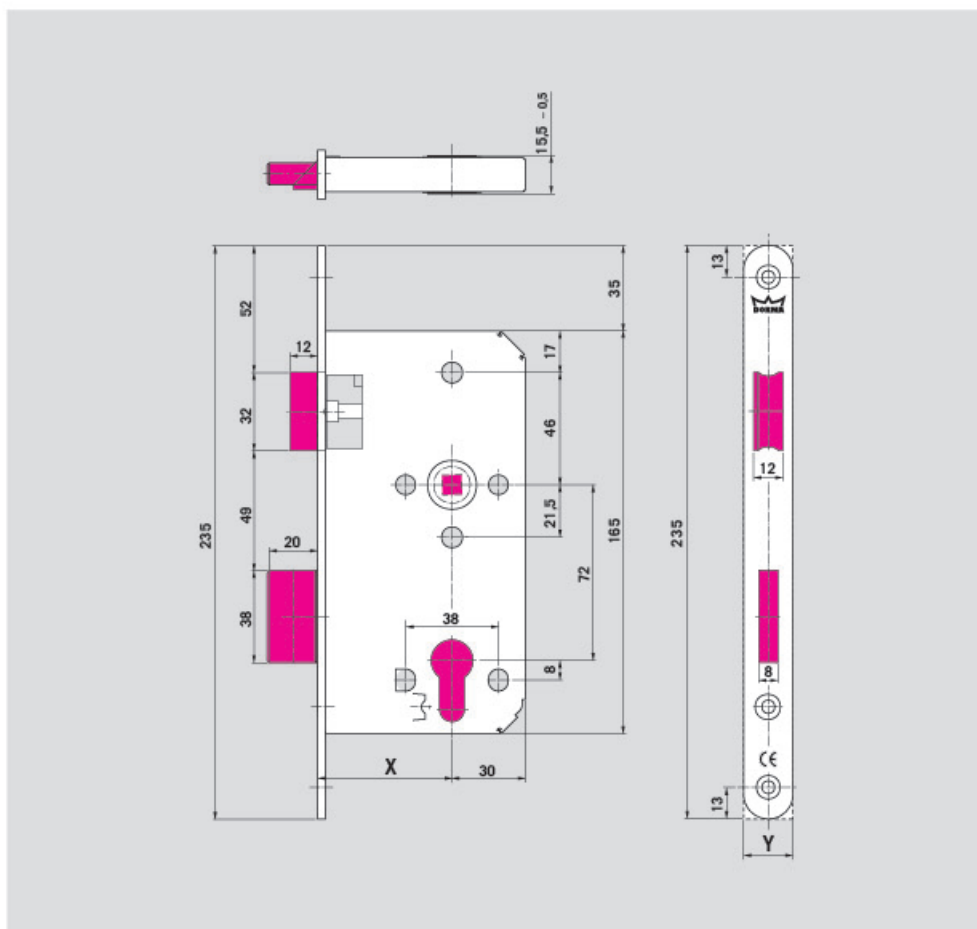
- Lock case size DIN 18251-1, closed case, zinc plated
- lock case prepared for Euro profile cylinder (DIN18252) and standard fittings
- latch handing is reversible
- latch and dead bolt, stainless steel, satin
- follower, stainless steel, 8 mm square hole, mounted in drawn steel bushes
- centred forend, satin stainless steel 1.4301 / AISI 304

Recommended Strike plate: 20 side: non-handed



## Classification EN 12209

2	S	6	1	0	G	3	B	C	2	0
---	---	---	---	---	---	---	---	---	---	---



## Possible variation

### Backset: X

- 55 mm
- 60 mm
- 65 mm
- 70 mm
- 80 mm

### Dimension of forend: Y

- square 20 mm
- 24 mm
- rounded 20 mm
- 24 mm



DORMA locks are prepared to be used with the levers of DORMA Beschlagtechnik

# MORTICE LOCK 285

Locks for bathroom doors, e.g. in office buildings

### Features

Grade 2 – EN 12209

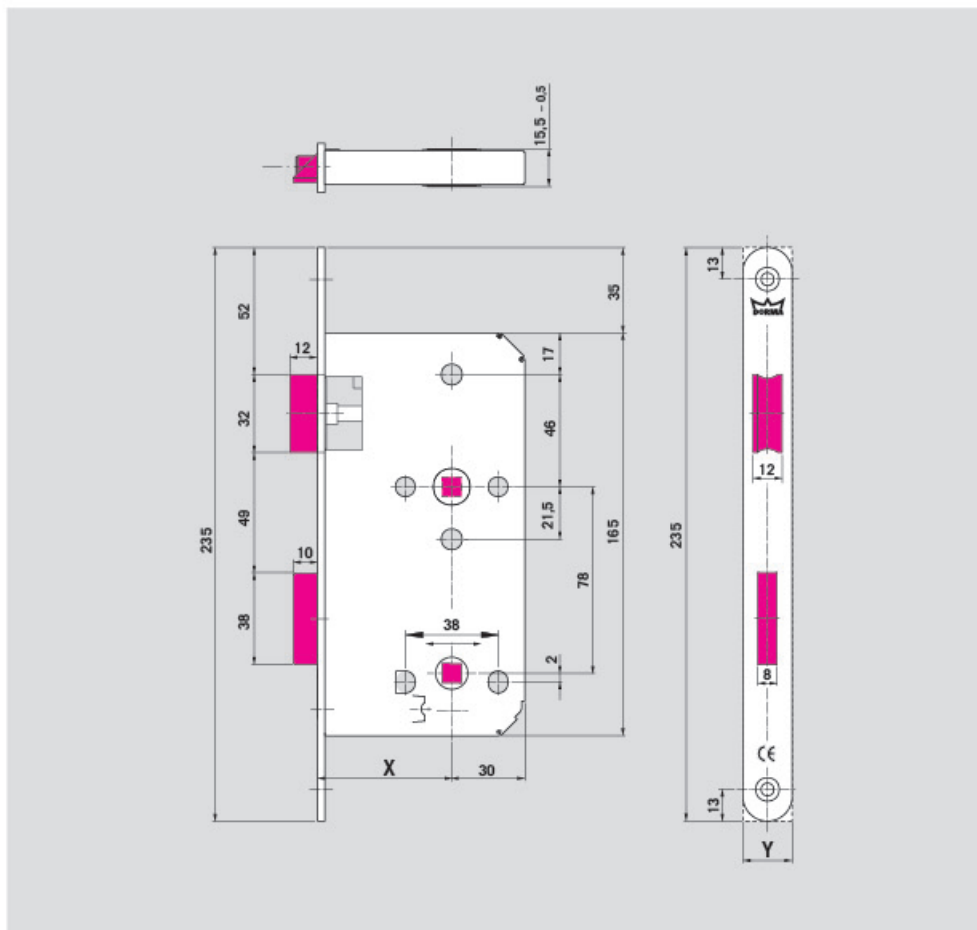
approved for fire-rate doors with CE certificate

- Lock case size DIN 18251-1, closed case, zinc plated
- lock case prepared for thumbturn and standard fittings and standard fittings
- latch handing is reversible
- latch and dead bolt, stainless steel, satin
- follower, stainless steel, 8 mm square hole, mounted in drawn steel bushes and 8 mm bathroom follower
- centred forend, satin stainless steel 1.4301 / AISI 304

**Recommended Strike plate: 20**      **side: non-handed**

### Classification EN 12209

2	S	6	1	0	G	3	K	G	2	0
---	---	---	---	---	---	---	---	---	---	---



### Possible variation

#### Backset: X

- 55 mm
- 60 mm
- 65 mm
- 70 mm
- 80 mm

#### Dimension of forend: Y

- square 20 mm
- 24 mm
- rounded 20 mm
- 24 mm



DORMA locks are prepared to be used with the levers of DORMA Beschlagtechnik



# MORTICE LOCK 288

Locks for interior and exterior doors, e.g. in office buildings

## Features

Grade 2 – EN 12209

approved for fire-rate doors with CE certificate

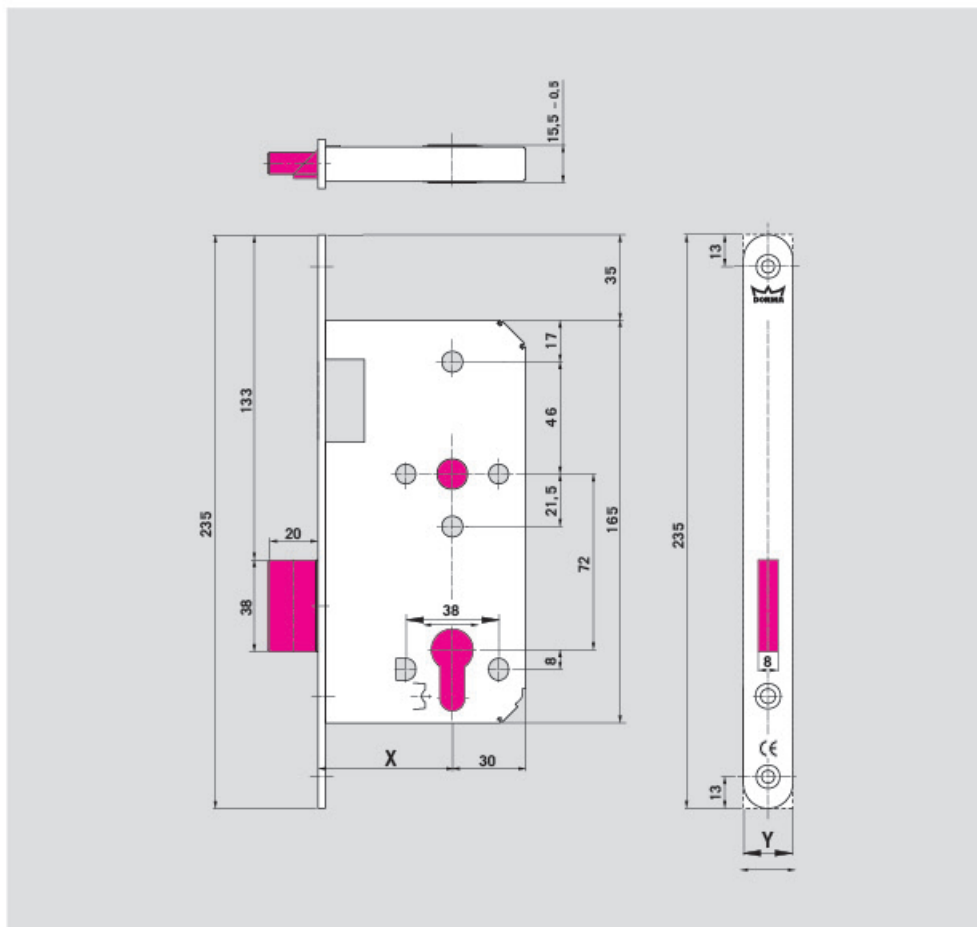
- Lock case size DIN 18251-1, closed case, zinc plated
- lock case prepared for Euro profile cylinder (DIN18252) and standard fittings
- dead bolt, stainless steel, satin
- centred forend, satin stainless steel 1.4301 / AISI 304

Recommended Strike plate: 21 side: non-handed



## Classification EN 12209

2	S	6	1	0	G	3	B	C	0	0
---	---	---	---	---	---	---	---	---	---	---



## Possible variation

### Backset: X

- 55 mm
- 60 mm
- 65 mm
- 70 mm
- 80 mm

### Dimension of forend: Y

- square 20 mm
- 24 mm
- rounded 20 mm
- 24 mm

# MORTICE LOCK 289

Locks for interior and exterior doors, e.g. in office buildings

### Features

Grade 2 – EN 12209

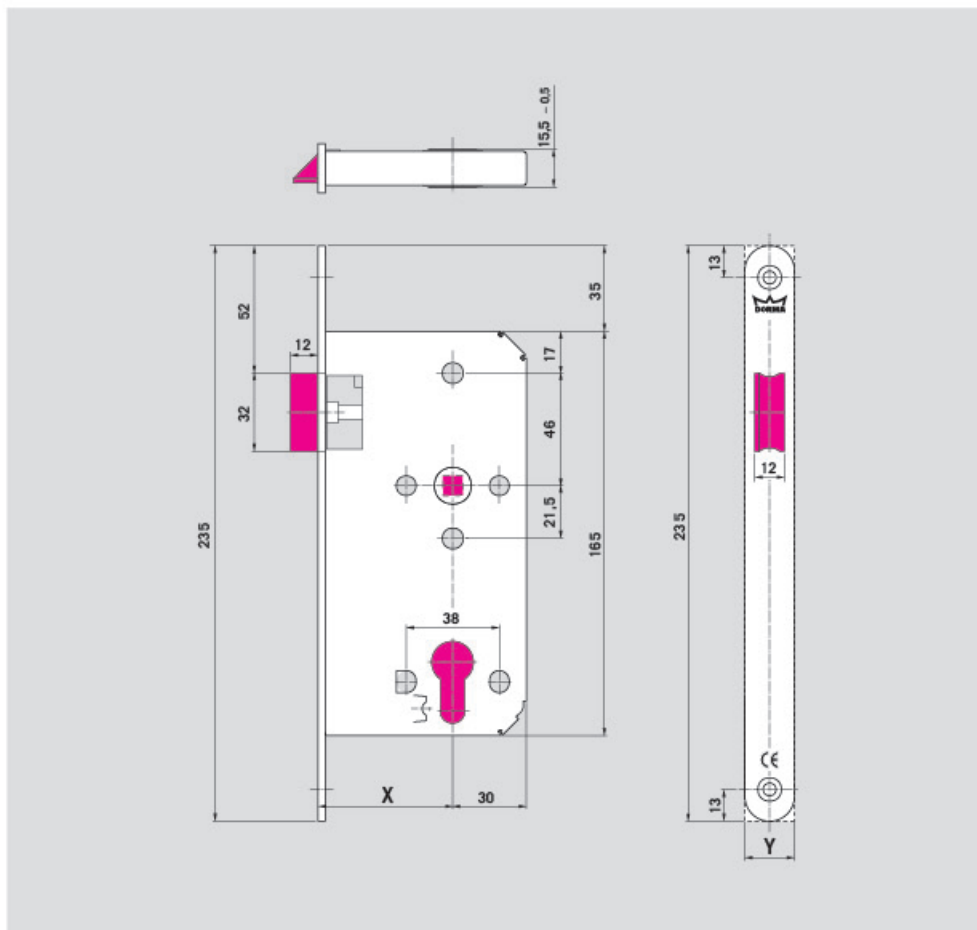
approved for fire-rate doors with CE certificate

- Lock case size DIN 18251-1, closed case, zinc plated
- lock case prepared for Euro profile cylinder (DIN18252) and standard fittings
- latch handing is reversible
- latch, stainless steel, satin
- follower, stainless steel, 8 mm square hole, mounted in drawn steel bushes
- centred forend, satin stainless steel 1.4301 / AISI 304

**Recommended Strike plate: 23**      **side: non-handed**

### Classification EN 12209

2	S	6	1	0	G	3	B	0	2	0
---	---	---	---	---	---	---	---	---	---	---



### Possible variation

#### Backset: X

- 55 mm
- 60 mm
- 65 mm
- 70 mm
- 80 mm

#### Dimension of forend: Y

- square 20 mm
- 24 mm
- rounded 20 mm
- 24 mm



DORMA locks are prepared to be used with the levers of DORMA Beschlagtechnik

# MORTICE LOCK 290

Locks for interior and exterior doors, e.g. in office buildings

## Features

Grade 2 – EN 12209

approved for fire-rate doors with CE certificate

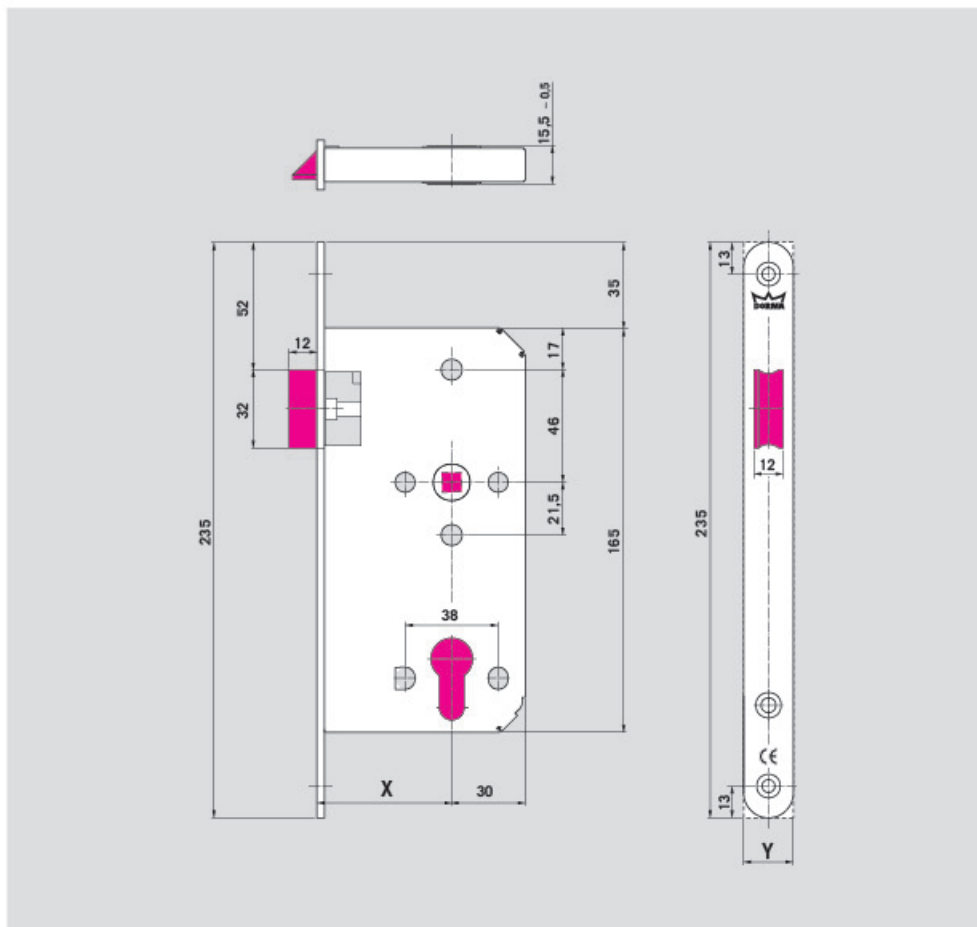
- Lock case size DIN 18251-1, closed case, zinc plated
- lock case prepared for Euro profile cylinder (DIN18252) and standard fittings
- latch handing is reversible, with night latch function
- latch, stainless steel, satin
- follower, stainless steel, 8 mm square hole, mounted in drawn steel bushes
- centred forend, satin stainless steel 1.4301 / AISI 304

Recommended Strike plate: 23 side: non-handed



## Classification EN 12209

2	S	6	1	0	G	3	B	0	2	0
---	---	---	---	---	---	---	---	---	---	---



## Possible variation

### Backset: X

- 55 mm
- 60 mm
- 65 mm
- 70 mm
- 80 mm

### Dimension of forend: Y

- square 20 mm
- 24 mm
- rounded 20 mm
- 24 mm



DORMA locks are prepared to be used with the levers of DORMA Beschlagtechnik

# MORTICE LOCK 271

Locks for interior and exterior doors, e.g. in office buildings

## Features

Grade 2 – EN 12209

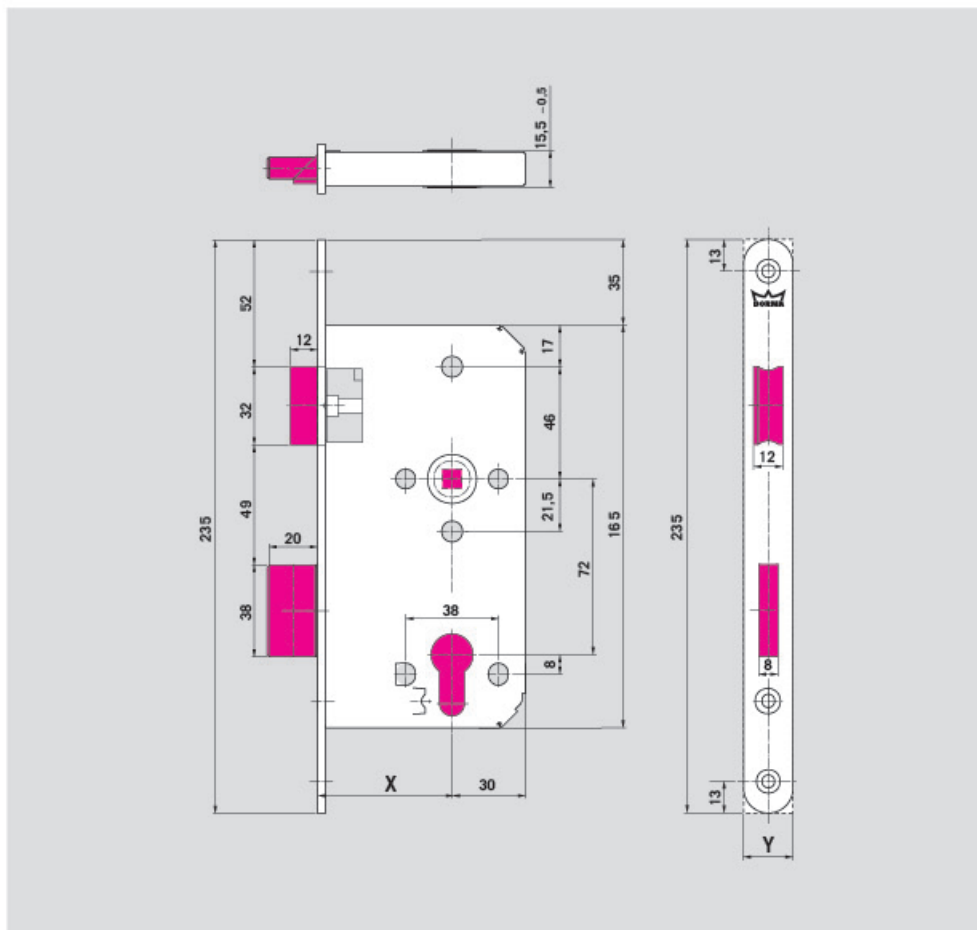
- Lock case size DIN 18251-1, closed case, zinc plated
- lock case prepared for Euro profile cylinder (DIN18252) and standard fittings
- latch handing is reversible
- latch and dead bolt, zinc, nickel plated
- follower, steel blade, 8 mm square hole, mounted in drawn steel bushes
- centred forend, satin stainless steel 1.4301 / AISI 304, changeable

Recommended Strike plate: 20 side: non-handed



## Classification EN 12209

2	S	6	0	0	G	3	B	C	2	0
---	---	---	---	---	---	---	---	---	---	---



## Possible variation

### Backset: X

- 55 mm
- 60 mm
- 65 mm
- 70 mm
- 80 mm

### Dimension of forend: Y

- square 20 mm
- 24 mm
- rounded 20 mm
- 24 mm



DORMA locks are prepared to be used with the levers of DORMA Beschlagtechnik

# MORTICE LOCK 275

Locks for bathroom doors, e.g. in office buildings

## Features

Grade 2 – EN 12209

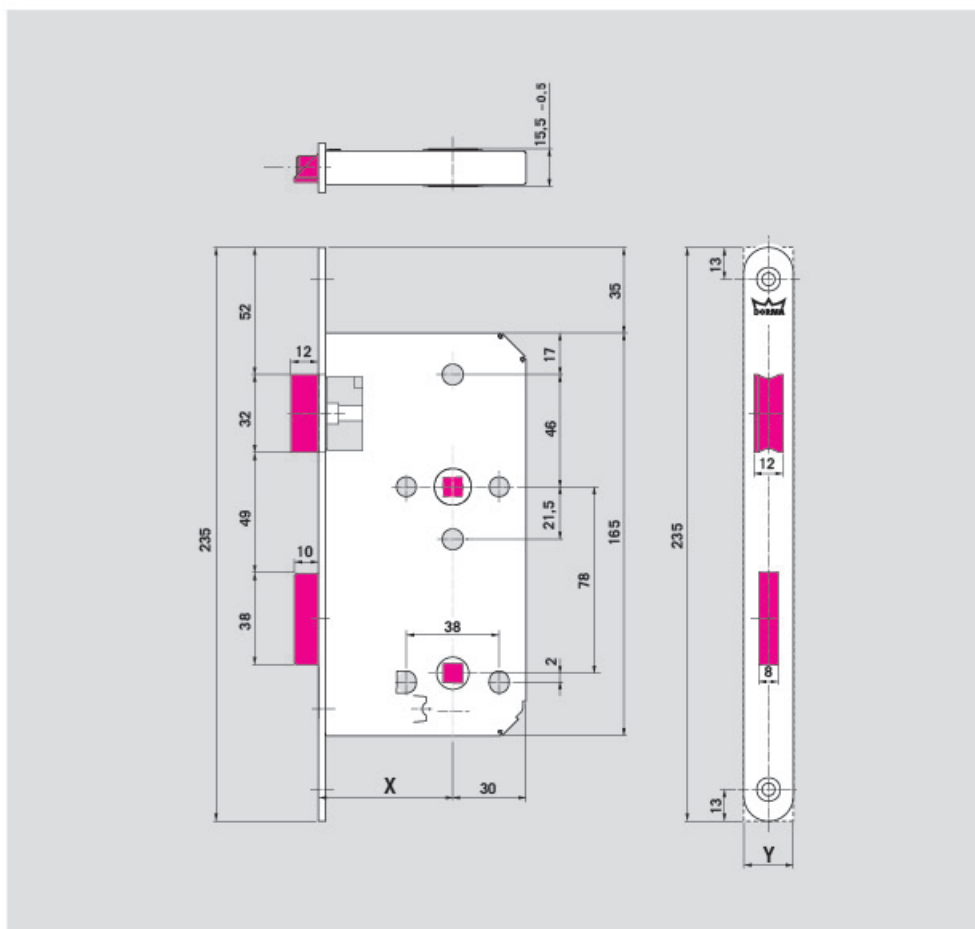
- Lock case size DIN 18251-1, closed case, zinc plated
- lock case prepared for Euro profile cylinder (DIN18252) and standard fittings
- latch handing is reversible
- latch and dead bolt, zinc, nickel plated
- follower, steel blade, 8 mm square hole, mounted in drawn steel bushes and 8 mm bathroom follower
- centred forend, satin stainless steel 1.4301 / AISI 304, changeable

Recommended Strike plate: 20 side: non-handed



## Classification EN 12209

2	S	6	0	0	G	3	K	G	2	0
---	---	---	---	---	---	---	---	---	---	---



## Possible variation

### Backset: X

- 55 mm
- 60 mm
- 65 mm
- 70 mm
- 80 mm

### Dimension of forend: Y

- square 20 mm
- 24 mm
- rounded 20 mm
- 24 mm



DORMA locks are prepared to be used with the levers of DORMA Beschlagtechnik

# MORTICE LOCK 278

Locks for interior and exterior doors, e.g. in office buildings

### Features

Grade 2 – EN 12209

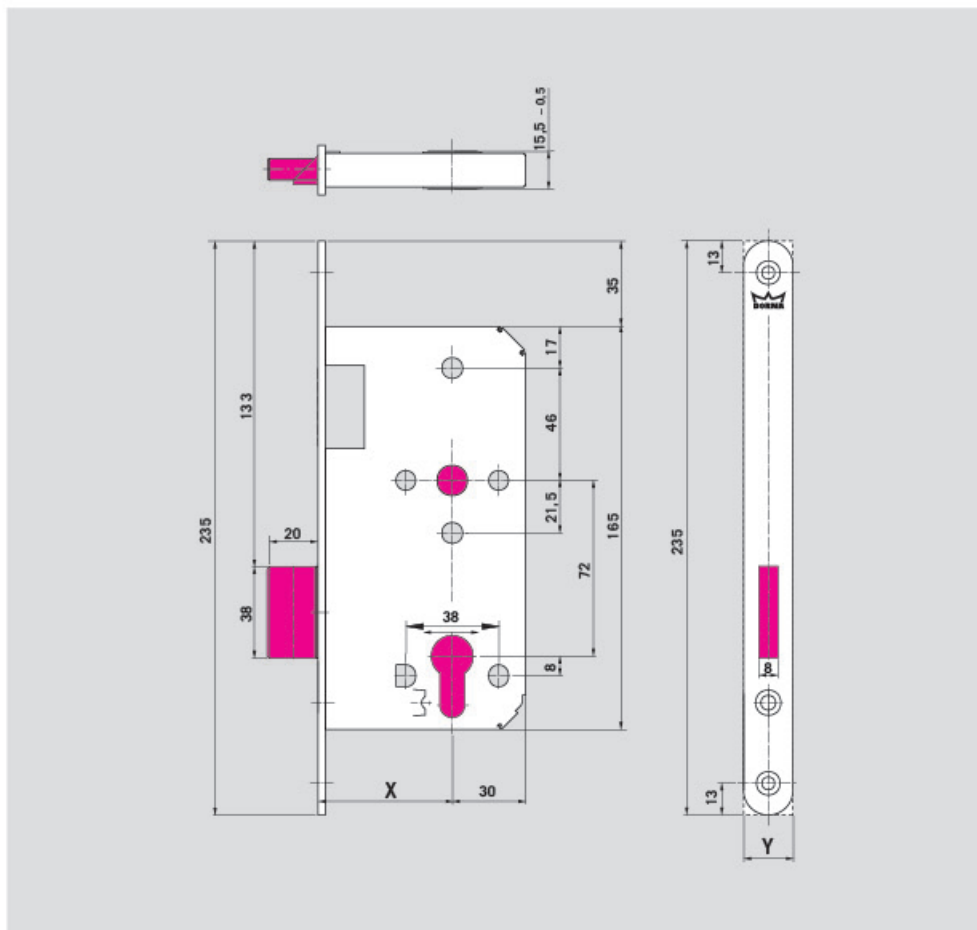
- Lock case size DIN 18251-1, closed case, zinc plated
- lock case prepared for Euro profile cylinder (DIN18252) and standard fittings
- dead bolt, zinc, nickel plated
- centred forend, satin stainless steel 1.4301 / AISI 304, changeable

Recommended Strike plate: 21 side: non-handed



### Classification EN 12209

2	S	6	0	0	G	3	B	C	2	0
---	---	---	---	---	---	---	---	---	---	---



### Possible variation

#### Backset: X

- 55 mm
- 60 mm
- 65 mm
- 70 mm
- 80 mm

#### Dimension of forend: Y

- square 20 mm
- 24 mm
- rounded 20 mm
- 24 mm



# MORTICE LOCK 279

Locks for interior and exterior doors, e.g. in office buildings

## Features

Grade 2 – EN 12209

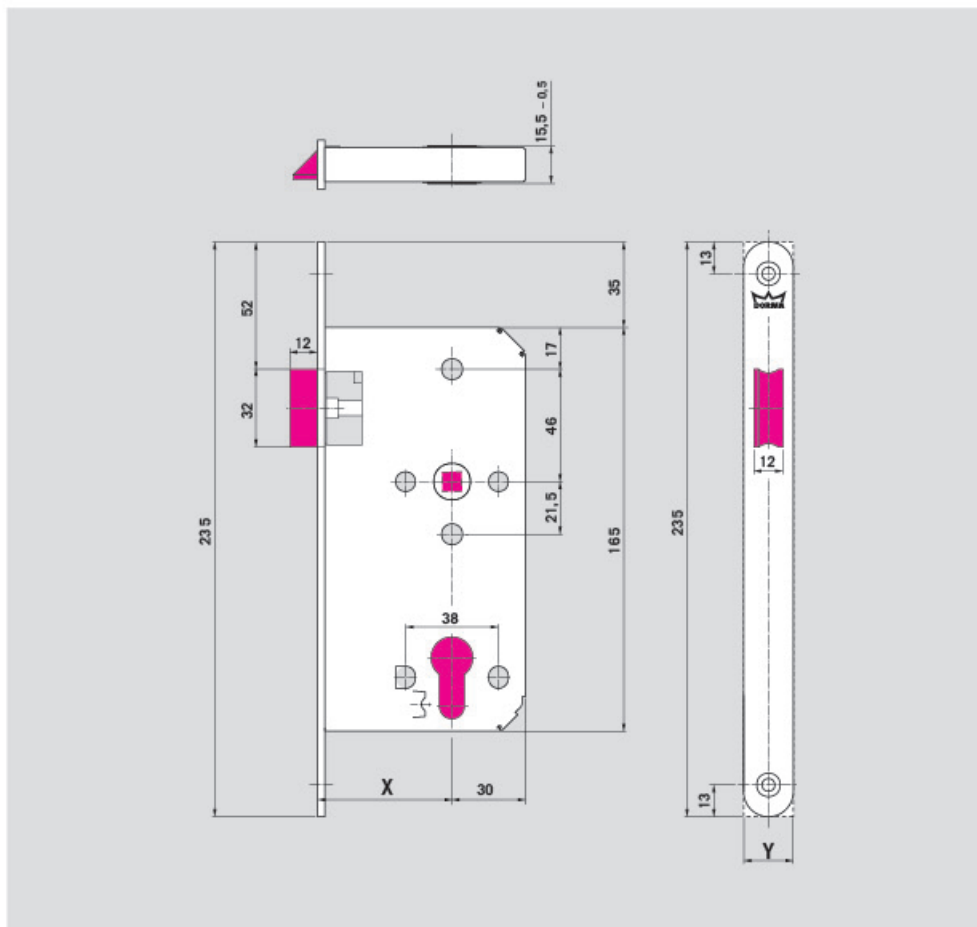
- Lock case size DIN 18251-1, closed case, zinc plated
- lock case prepared for standard fittings
- latch handing is reversible
- latch, zinc, nickel plated
- follower, steel blade, 8 mm square hole, mounted in drawn steel bushes
- centred forend, satin stainless steel 1.4301 / AISI 304, changeable

Recommended Strike plate: 23 side: non-handed



## Classification EN 12209

2	S	6	0	0	G	3	K	G	2	0
---	---	---	---	---	---	---	---	---	---	---



## Possible variation

### Backset: X

- 55 mm
- 60 mm
- 65 mm
- 70 mm
- 80 mm

### Dimension of forend: Y

- square 20 mm
- 24 mm
- rounded 20 mm
- 24 mm



DORMA locks are prepared to be used with the levers of DORMA Beschlagtechnik

# MORTICE LOCK 208

Locks for interior doors, e.g. in office buildings

### Features

Grade 2 – EN 12209

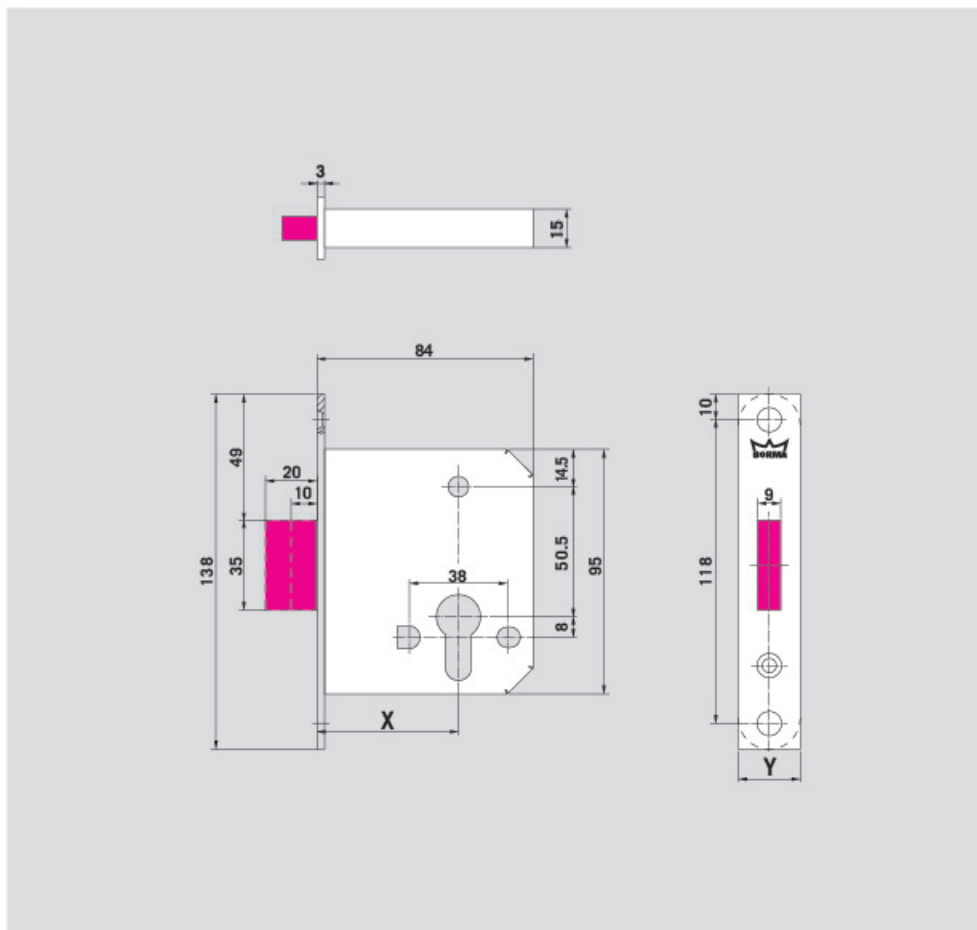
- closed lock case, zinc plated
- lock case prepared for Euro profile cylinder (DIN18252) and standard fittings
- dead bolt, zinc, nickel plated
- centred forend, satin stainless steel 1.4301 / AISI 304, changeable

Recommended Strike plate: 21      side: non-handed



### Classification EN 12209

2	S	6	0	0	G	3	B	C	0	0
---	---	---	---	---	---	---	---	---	---	---



### Possible variation

#### Backset: X

55 mm

#### Dimension of forend: Y

square 20 mm

24 mm

rounded 20 mm

24 mm

# MORTICE LOCK 209

Locks for interior doors, e.g. in office buildings

## Features

Grade 2 – EN 12209

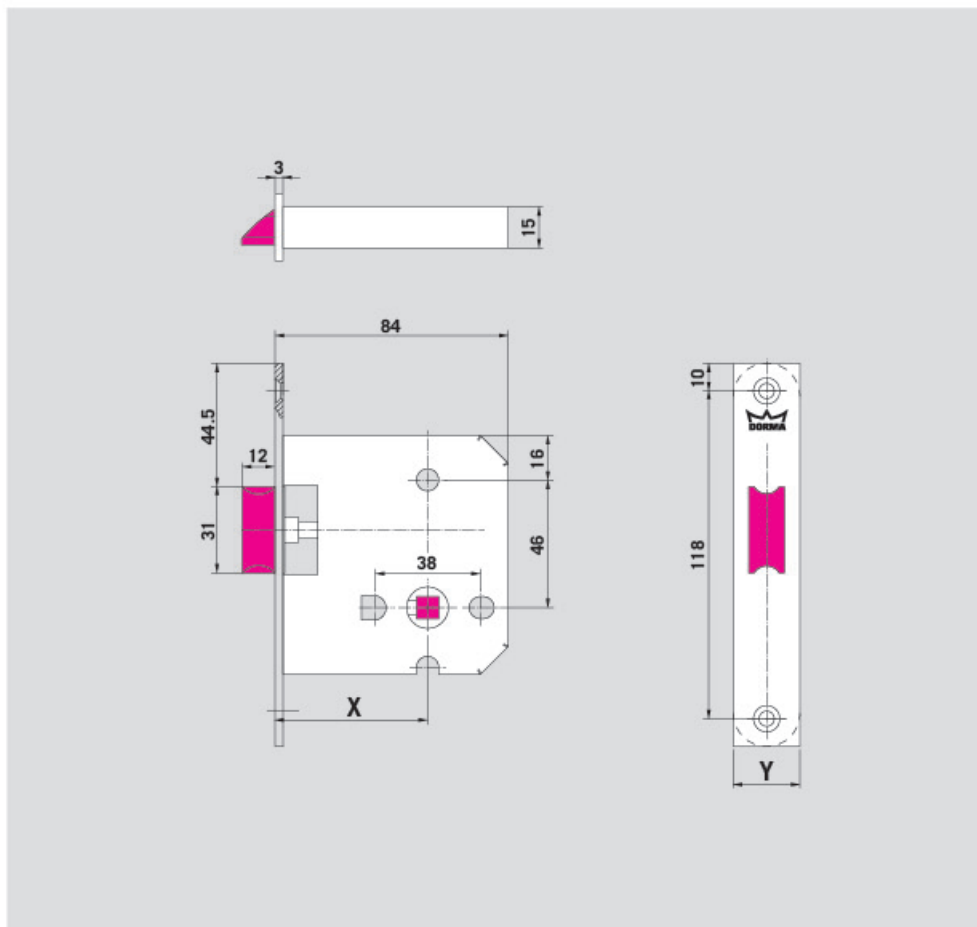
- closed lock case, zinc plated
- lock case prepared for standard fittings
- latch handing is reversible
- latch, zinc, nickel plated
- followed, steel blade, 8 mm square hole, mounted in drawn steel bushes
- centred forend, satin stainless steel 1.4301 / AISI 304, changeable

Recommended Strike plate: 23      side: non-handed



## Classification EN 12209

2	S	6	0	0	G	3	B	0	2	0
---	---	---	---	---	---	---	---	---	---	---



## Possible variation

### Backset: X

55 mm

### Dimension of forend: Y

square 20 mm

24 mm

rounded 20 mm

24 mm

# MORTICE LOCK 232

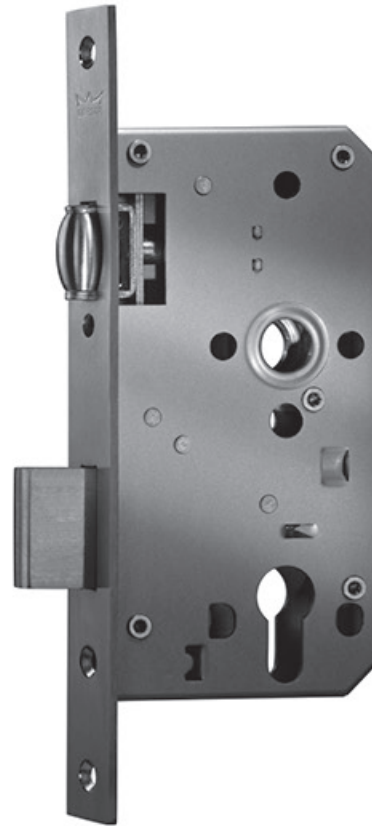
Locks for interior and exterior swing doors, e.g. in office buildings

### Features

Grade 2 – EN 12209

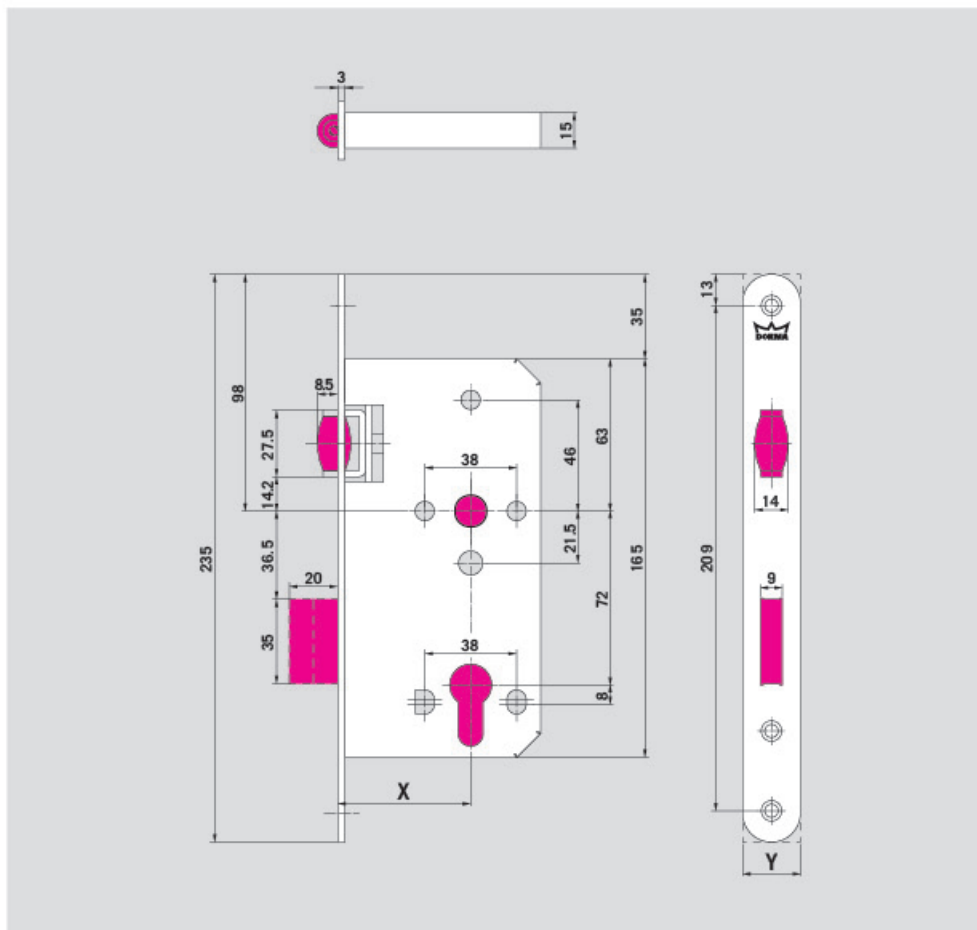
- Lock case size DIN 18251-1, closed case, zinc plated
- lock case prepared for Euro profile cylinder (DIN18252) and standard fittings
- Roller latch and dead bolt, solid metal ally, nickel plated
- centred forend, satin stainless steel 1.4301 / AISI 304, changeable

Recommended Strike plate: 27      side: non-handed



### Classification EN 12209

2	S	6	0	0	G	3	B	C	0	0
---	---	---	---	---	---	---	---	---	---	---



### Possible variation

#### Backset: X

- 55 mm
- 60 mm
- 65 mm
- 70 mm
- 80 mm

#### Dimension of forend: Y

- square 20 mm
- 24 mm
- rounded 20 mm
- 24 mm

# MORTICE LOCK 233

Locks for bathroom doors, e.g. in office buildings

## Features

Grade 2 – EN 12209

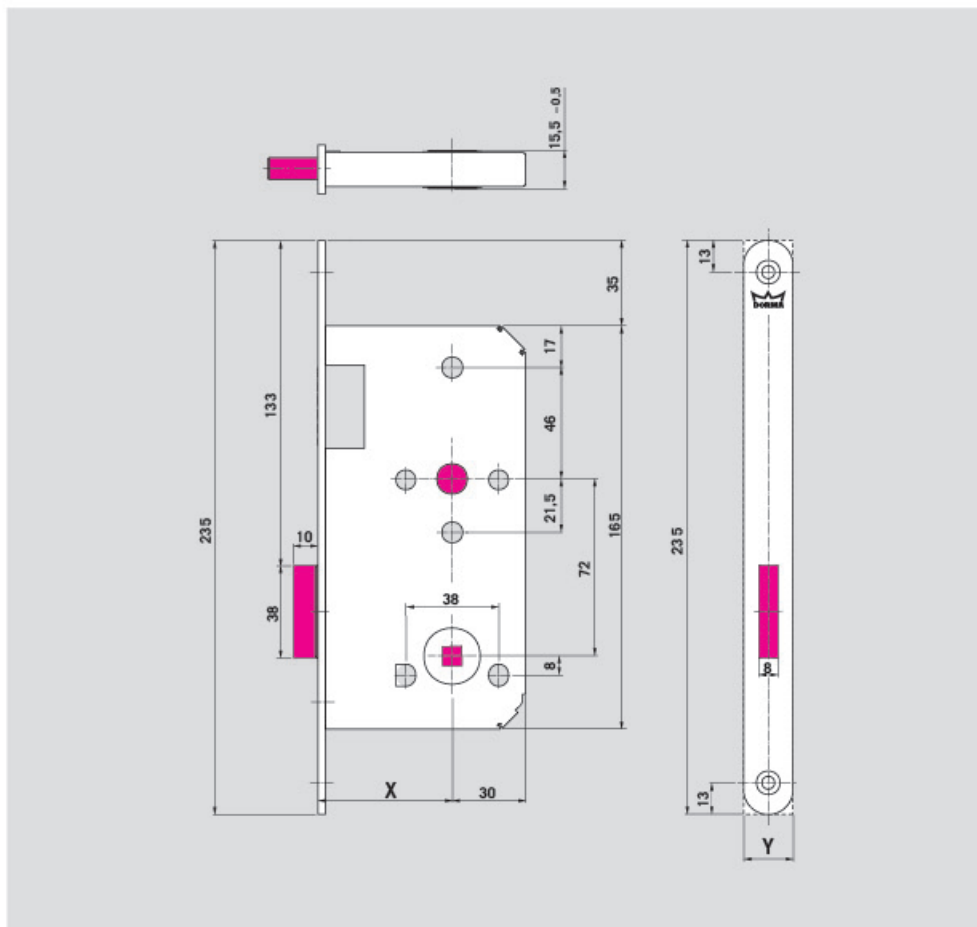
- Lock case size DIN 18251-1, closed case, zinc plated
- lock case prepared for thumbturn 8 mm and standard fittings
- dead bolt, zinc, nickel plated
- centred forend, satin stainless steel 1.4301 / AISI 304, changeable

Recommended Strike plate: 21 side: non-handed



## Classification EN 12209

2	S	6	0	0	G	3	K	G	2	0
---	---	---	---	---	---	---	---	---	---	---



## Possible variation

### Backset: X

- 55 mm
- 60 mm
- 65 mm
- 70 mm
- 80 mm

### Dimension of forend: Y

- square 20 mm
- 24 mm
- rounded 20 mm
- 24 mm

# MORTICE LOCK 234

Locks for interior doors, e.g. in office buildings

### Features

Grade 2 – EN 12209

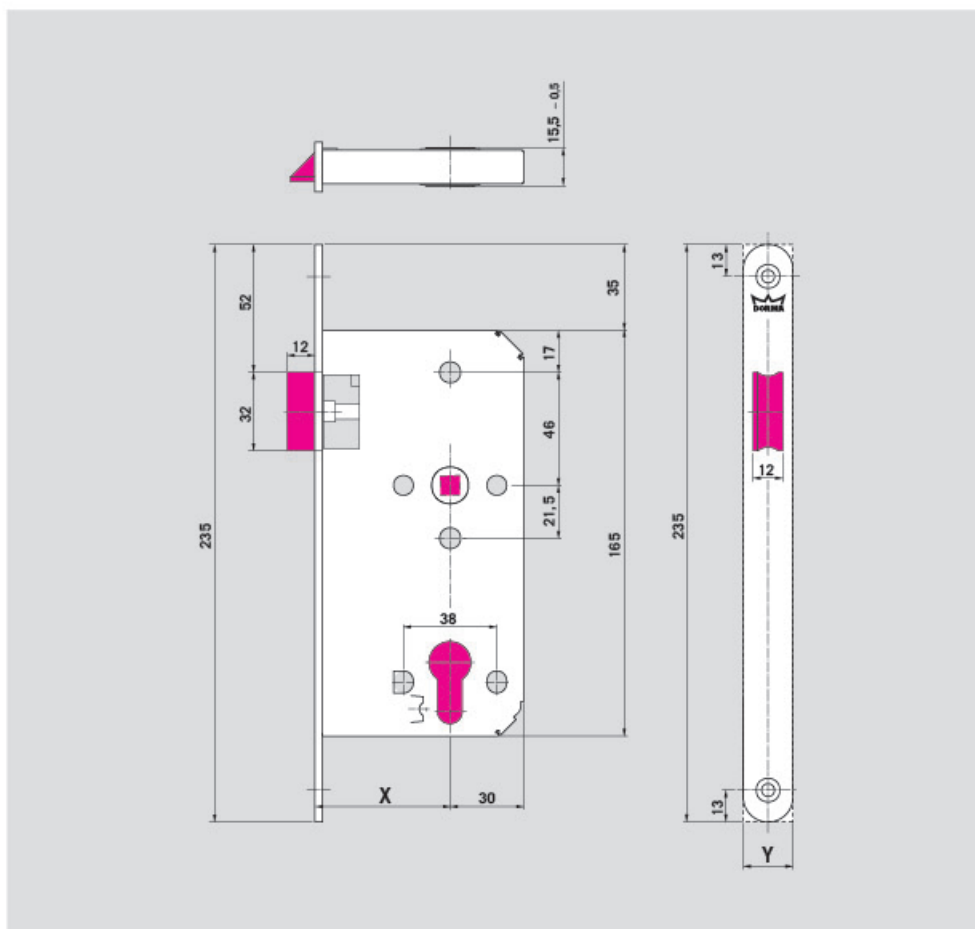
- Lock case size DIN 18251-1, closed case, zinc plated
- lock case prepared for Euro profile cylinder (DIN18252) and standard fittings
- latch handing is reversible
- latch, zinc, nickel plated
- follower, steel blade, 8 mm square hole, mounted in drawn steel bushes
- lockable by cylinder
- centred forend, satin stainless steel 1.4301 / AISI 304, changeable

Recommended Strike plate: 23 side: non-handed



### Classification EN 12209

2	S	6	0	0	G	3	K	G	2	0
---	---	---	---	---	---	---	---	---	---	---



### Possible variation

#### Backset: X

- 55 mm
- 60 mm
- 65 mm
- 70 mm
- 80 mm

#### Dimension of forend: Y

- square 20 mm
- 24 mm
- rounded 20 mm
- 24 mm



DORMA locks are prepared to be used with the levers of DORMA Beschlagtechnik



# MORTICE LOCK 235

Locks for bathroom doors, e.g. in office buildings

## Features

Grade 2 – EN 12209

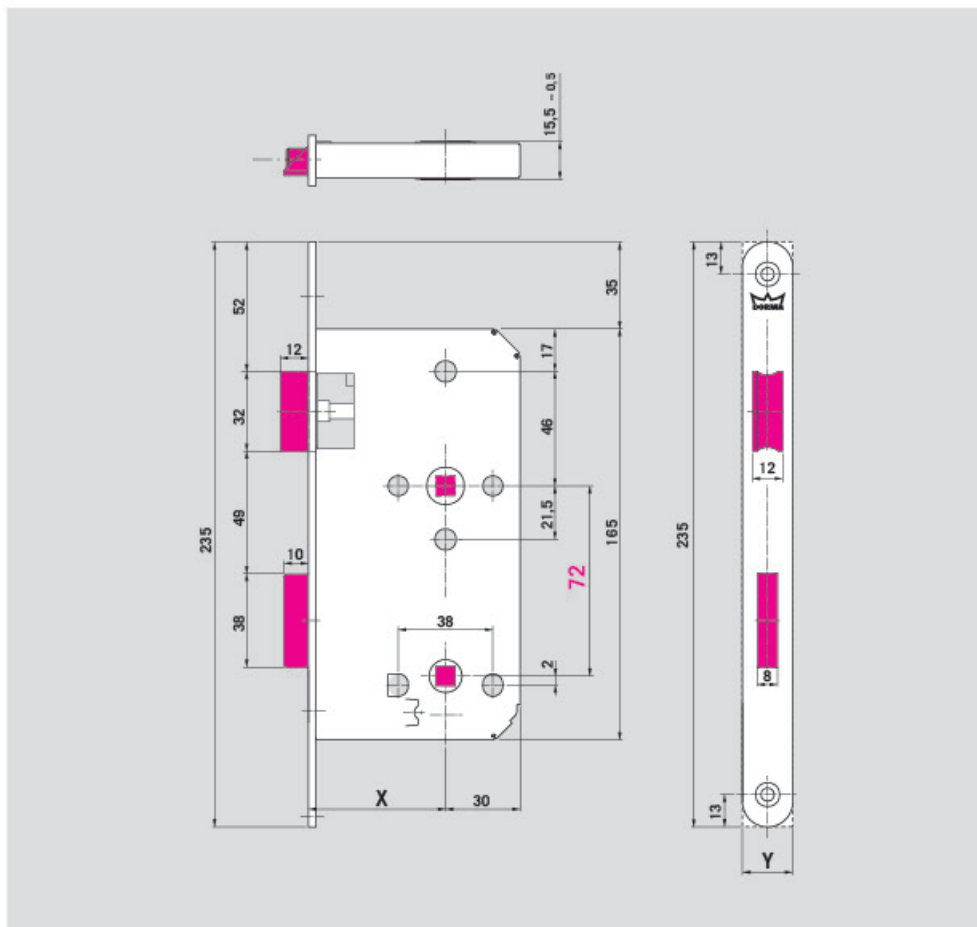
- Lock case size DIN 18251-1, closed case, zinc plated
- lock case prepared for thumbturn and standard fittings (c/c 72 mm)
- latch handing is reversible
- latch and dead bolt, zinc, nickel plated
- follower, steel blade, 8 mm square hole, mounted in drawn steel bushes and 8 mm bathroom follower
- centred forend, satin stainless steel 1.4301 / AISI 304, changeable

Recommended Strike plate: 20 side: non-handed



## Classification EN 12209

2	S	6	0	0	G	3	K	G	2	0
---	---	---	---	---	---	---	---	---	---	---



## Possible variation

### Backset: X

- 55 mm
- 60 mm
- 65 mm
- 70 mm
- 80 mm

### Dimension of forend: Y

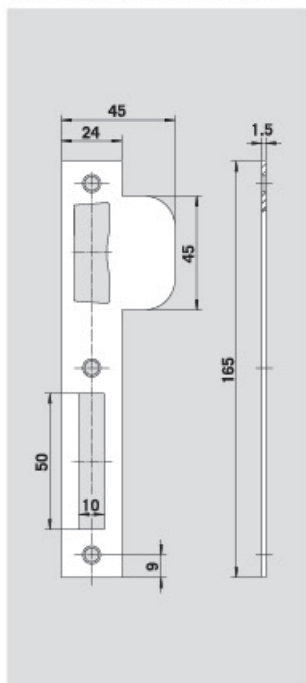
- square 20 mm
- 24 mm
- rounded 20 mm
- 24 mm



DORMA locks are prepared to be used with the levers of DORMA Beschlagtechnik

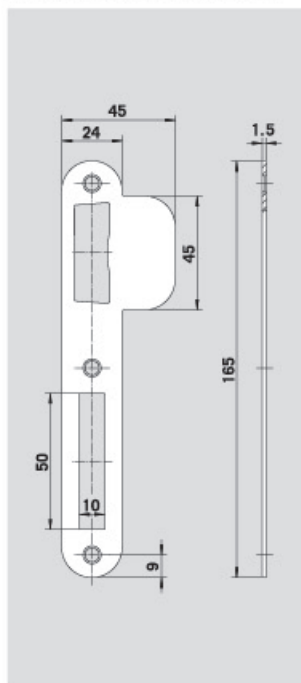
## STRIKE PLATES TYPE 020

Material: satin stainless steel



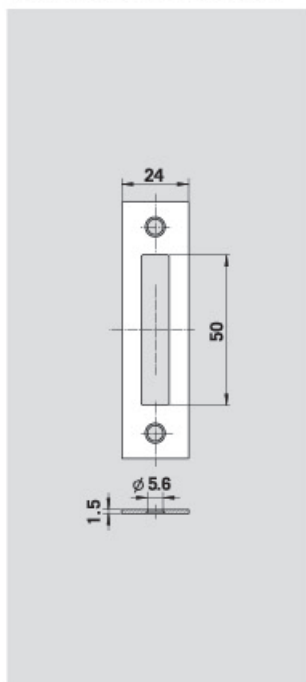
## STRIKE PLATES TYPE 020-1

Material: satin stainless steel



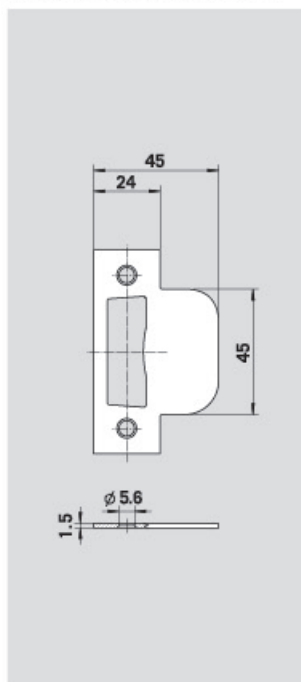
## STRIKE PLATES TYPE 021

Material: satin stainless steel



## STRIKE PLATES TYPE 023

Material: satin stainless steel



## COMPATIBILITY WITH THE PREVIOUS PROGRAM

Locks of the previous program can be easily replaced by the locks of the new program. The dimensions as well as the functions of the two programs are similar.

The figure below shows the compatibility of the two programs.

New program	Previous program
<b>200 CE</b>	
281	752-F
285	790-F
288	532-F
289	515-F
290	116
<b>200</b>	
271	771
275	775
278	778
279	779



## DORMA MORTICE CE LOCK – CONTRACT

Locks for interior and exterior doors and fire-rated doors, intended for office buildings, Grade 2 – EN 12209, approved for fire-rated doors with CE-certificate, Lock case size DIN 18251-1, Latch handing is reversible, Lock case prepared for standard fittings, closed

case, zinc plated, Latch and deadbolt satin stainless steel, Deadbolt projection double throw 20 mm (bathroom / WC 10 mm), Clamp follower 8 mm, stainless steel, mounted in drawn steel bushes, Centred forend, satin stainless steel AISI 304

### Lock type

- Europrofile cylinder with night latch function, 72 mm centres (281)
- Bathroom/WC, for WC knob – 8 mm, 78 mm centres (285)
- Deadbolt lock, Europrofile cylinder (288)
- Latch lock (289)
- Latch lock, Europrofile cylinder with night latch function, 72 mm centres (290)

### Backset:

- 55 mm
- 60 mm
- 65 mm
- 70 mm
- 80 mm

### Forend width

- 20 mm
- 24 mm

### Forend design

- Rounded ends
- Square ends

## DORMA MORTICE LOCK – STANDARD

Locks for interior and exterior doors, intended for office buildings, Grade 2 – EN 12209, lock case size DIN 18251-1, Latch handing is reversible, Lock case prepared for standard fittings, closed case, zinc plated, Latch and deadbolt zinc, nickle plated, Deadbolt

projection double throw 20 mm (bathroom / WC 10 mm), Follower 8 mm, steel blade, mounted in drawn steel bushes, Centred forend, satin stainless steel AISI 304

### Lock type

- Europrofile cylinder with night latch function, 72 mm centres (271)
- Bathroom/WC, for WC knob – 8 mm, 78 mm centres (275)
- Deadbolt lock, Europrofile cylinder (278)
- Latch lock (279)
- Deadbolt lock, small case, 55 mm backset only, Europrofile cylinder, latch and deadbolt satin stainless steel (208)
- Latch lock, small case, 55 mm backset only, latch and deadbolt satin stainless steel (209)
- Europrofile cylinder, roller latch and deadbolt, 72 mm centres (232)
- Deadbolt lock, for WC knob – 8mm (233)
- Europrofile cylinder, latch and lockable handle, 72 mm centres (234)
- Bathroom/WC, for WC knob – 8 mm, 72 mm centres (235)

### Backset:

- 55 mm
- 60 mm
- 65 mm
- 70 mm
- 80 mm

### Forend width

- 20 mm
- 24 mm

### Forend design

- Rounded ends
- Square ends



DORMA Far East Pte. Ltd.  
Singapore  
31 Gul Lane  
Singapore 629425  
Tel : +65 6268 7633  
Fax : +65 6265 7995  
+65 6459 0137  
[www.dorma.com.sg](http://www.dorma.com.sg)  
Co. Reg. No. 1981-03135-W

Taiwan  
Tel : +886 2 2709 6611  
Fax : +886 2 2709 9911

Thailand  
Tel : +66 2 236 4994/5/6  
Fax : +66 2 236 4997

Vietnam  
Tel : +84 8 62 888 748  
Fax : +84 8 62 888 701

DORMA Korea Inc.  
Tel : +82 31 776 0051  
Fax : +82 31 776 0054

DORMA Hueppe Asia (Malaysia)  
Tel : +60 7 5985 730  
Fax : +60 7 5985 729

DORMA Far East Sdn. Bhd. (Malaysia)  
Tel : +603 7665 1683  
Fax : +603 7665 1680

DORMA Philippines Corp.  
Tel : +63 2 893 4078  
Fax : +63 2 845 1108

PT DORMA Far East (Indonesia)  
Tel : +62 21 2930 3762  
Fax : +62 21 2930 3763

